

Play value

The appealing open construction of our Small Two-Master with its lovingly realistic details simply invites children to play joint role-play games. The lean bow with bridge and portholes can be climbed while in the nave there are bridges, a rotating steering wheel and masks with flags – it's just like setting sail on the high seas. The stern can be conquered by big and little pirates via a suspension bridge or a climbing net. The next adventure can be planned at the round table with four stools under the platform in the cutter.



Fundamental characteristics

- child-oriented dimensions
- natural wooden surface appeals to the senses
- emotionally appealing design
- friendly appearance
- incentive for playing: role-playing games
- exercise activity: climbing

Small Two-Master

Suitable

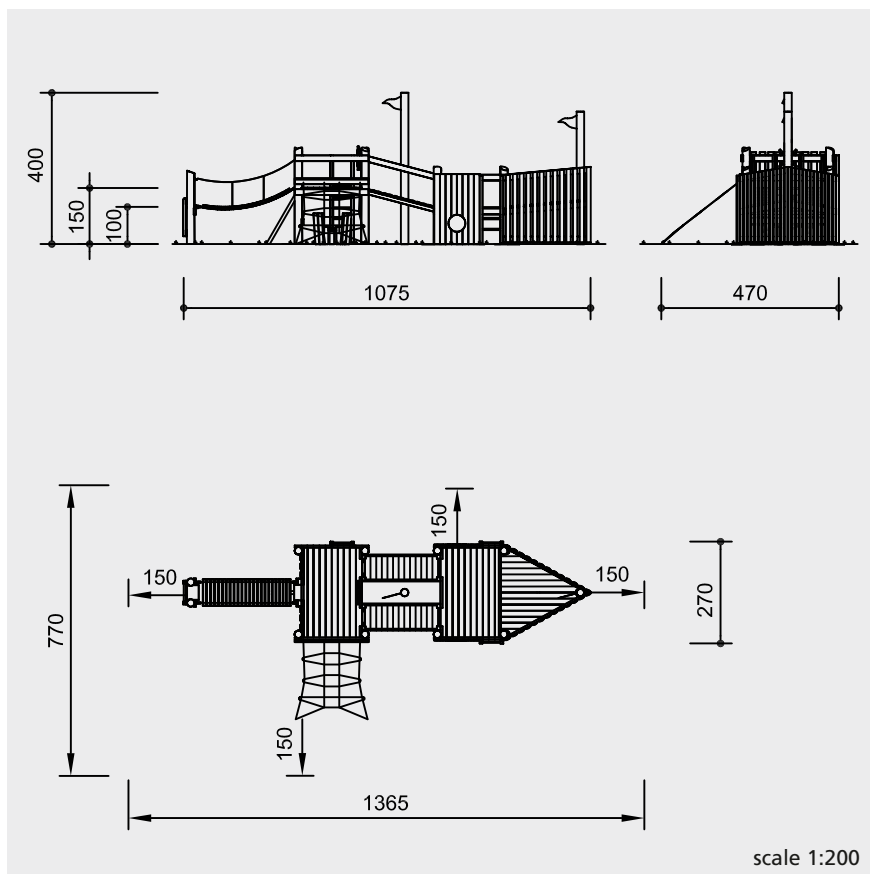
- for children from 5 years of age
- for public playgrounds
- leisure areas
- theme playgrounds

© Richter Spielgeräte GmbH 01/15

Design and Copyright



8.02030



safety check according to EN 1176

Components

- 1 bow with floor and 2 side panels
- 1 platform as stern, height 1.00 m with 2 floor elements, handrails and 2 side panels
- 2 rigid bridges, length 2 m with wooden handrails
- 1 platform, height 1.50 m with 2 floor elements and handrails
- 1 suspension bridge, length 3 m with chain handrails
- 1 end frame with ladder
- 1 inclined climbing net
- 2 masts with flag
- 1 round table
- 4 stools with back

Installation information

Surfacing requirements: corresponding to a fall height of ≤ 1.50 m (please refer to price list for more detailed information)

Foundations

Platforms

8 items 60 x 60 x 60 cm excavation depth 80 cm

Front mast

1 item 60 x 60 x 60 cm excavation depth 80 cm

Middle mast

1 item 80 x 80 x 60 cm excavation depth 80 cm

End frame for suspension bridge

1 item 125 x 120 x 60 cm excavation depth 80 cm

Metal cross strut

1 item 60 x 60 x 40 cm excavation depth 60 cm

Inclined climbing net

2 items 50 x 50 x 40 cm excavation depth 80 cm

Round table

1 item 60 x 60 x 40 cm excavation depth 60 cm

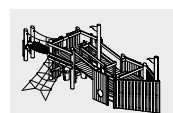
Attention!

Exact measurements may vary; for all installation dimensions refer to current installation instructions.

We reserve the right to make technical alterations!

Dimensions

(small deviations possible)
 height 4.00 m
 length 10.75 m
 width incl. net 4.70 m
 weight 2000 kg



8.02030

Technical information

wooden parts made of mountain larch, selected according to eight quality criteria

de-barked

masts and stand posts made of de-barked posts, Ø 15 to 18 cm



angle cut

vertical stand posts with angle cut in the end grain section as constructive wood preservation



core-free timber

sawn timbers core-free, thus decreasing occurrences of cracking



slabs

side walls and bridge floor made of slabs, thickness 3 to 5 cm, de-barked by hand



tongue and groove

platform made of 40 mm tongue and groove boarding



hardwood rungs

climbing rungs of hardwood, milled and mortised, Ø 42 mm



plywood

three-layer waterproof plywood made of mountain larch, 30 mm



Corocord® rope

special ropes of Hercules type

six-strand Corocord® rope of the special Hercules type, abrasion-protected through heating of the six steel strands and melting the polyamide sleeve onto them



aluminium swages

double-conical aluminium swages with rounded-off ends



S-clamps

neatly rounded Corocord® S-clamps made of stainless steel, Ø 8 mm



rope connection with joint

close fitting connection without dangerous openings; the bearing consists of one brass bush



concealed head

large surface for pressure distribution, prevents water from getting inside, protects the bolt head



adjustable

easy to maintain, no projecting threads after re-tightening due to two-piece bolt connection



brass bush

for all to and fro movements we use sintered metal bearings which allow for self-lubrication while in use and are easy to exchange if required



anchoring to the ground

all parts used for anchoring to the ground made of hot-dip galvanised steel



all steel parts made of stainless steel or hot-dip galvanised

Please refer to the price list for a more detailed explanation of the quality characteristics.